



EC800-CD

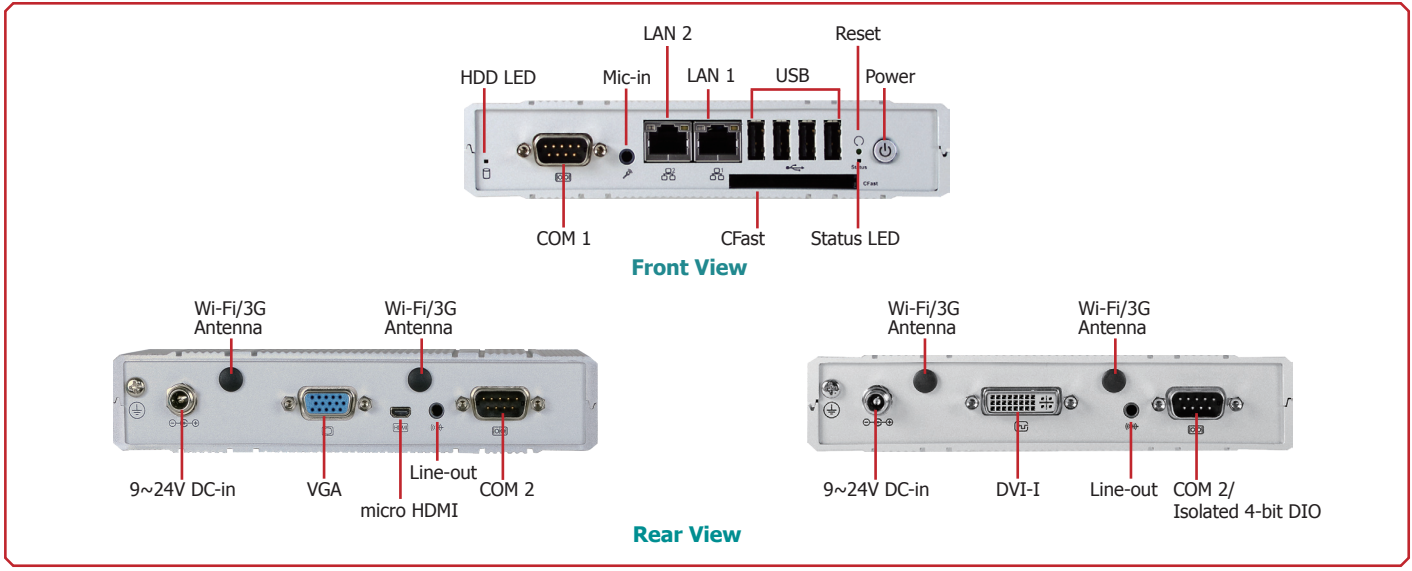


► Features

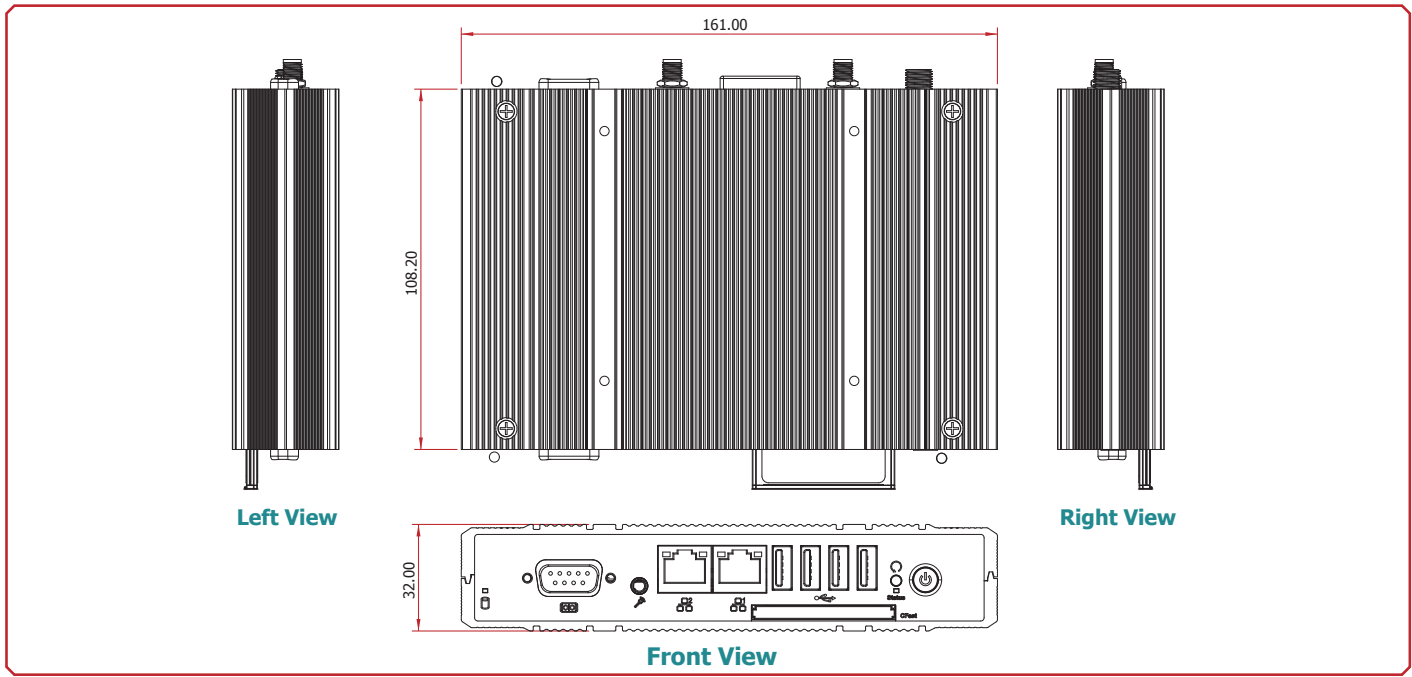
- 2GB DDR3 onboard
- 1 mSATA, 1 CFast
- Supports Wi-Fi, 3G, and GPRS application



► Panel



► Dimensions



EC800-CD

Specifications * Optional and is not supported in standard model. Please contact your sales representative for more information.

PROCESSOR SYSTEM

- CPU
 - Intel® Atom™ D2550, 1.86GHz, 2x 512K L2, 10W TDP, dual-core
 - Intel® Atom™ N2800, 1.86GHz, 2x 512K L2, 6.5W TDP, dual-core
 - Intel® Atom™ N2600, 1.60GHz, 2x 512K L2, 3.5W TDP, dual-core
- Chipset
 - Intel® NM10 Express Chipset

MEMORY

- 2GB DDR3 onboard (default)
 - Intel® Atom™ D2550/N2800 supports up to 4GB*

GRAPHICS

- Intel® GMA 3650 (Intel® Atom™ D2550/N2800)
- Intel® GMA 3600 (Intel® Atom™ N2600)
- 1 DVI-I port supports display resolution up to 1920x1200
- 1 VGA port supports display resolution up to 1920x1200
- 1 micro HDMI port supports display resolution up to 1920x1080
- Smooth Video Playback
 - Supports hardware decoders (H.264, VC-1, MPEG-4) with Full HD 1080p video playback capability

STORAGE

- 1 CFast socket
- 1 mSATA module via a Mini PCIe slot

ETHERNET

- 2 Intel® WG82574L Gigabit Ethernet controllers

AUDIO

- Realtek® ALC886 7.1-channel High Definition Audio
- 1 line-out and 1 mic-in

COM

- 2 DB-9 ports
 - 1 DB-9 port supports RS232/422/485 COM port
 - 1 DB-9 port supports RS232/422/485 COM port or isolated 4-bit DIO*
- Supports RS485 auto direction control

EXPANSION

- 3 Mini PCIe slots
 - 2 slots for communication
 - : One slot supports PCIe x1, USB, and LPC signals for Wi-Fi module or LPC module
 - : One slot supports PCIe x1, USB, and 3G signals for 3G or GPRS module
 - 1 slot for storage
 - : Supports mSATA module
- 1 SIM card socket
- 1 CFast

DIO

- 1 isolated 4-bit DIO via the DB-9 port (signal+power)*

FRONT I/O PORTS

- 1 DB-9 RS232/422/485 COM
- 1 mic-in
- 2 LAN
- 4 USB 2.0 (Type A)
- 1 CFast socket
- 1 status LED
- 1 hdd LED
- 1 reset button
- 1 power button with LED

POWER

- 9~24V DC power input voltage

ENVIRONMENT

- Temperature
 - Operating: 0°C ~ 60°C
 - Storage: -40°C ~ 80°C
- Humidity
 - Operating: 10% to 85% non-condensing
 - Storage: 10% to 90% non-condensing

CONSTRUCTION

- Aluminum

MOUNTING

- Wall/VESA/DIN Rail mount
 - Mounting brackets and screws*

DIMENSIONS

- 161mm x 32mm x 108.2mm (W x H x D)

WEIGHT

- 700g

OS SUPPORT

- Windows XP, WES 2009, POSReady 2009
Windows 7 (32-bit), WES 7 (32-bit)
- Linux (Distribution available upon request)

OTHER FEATURES

- Watchdog Timer function

CERTIFICATION

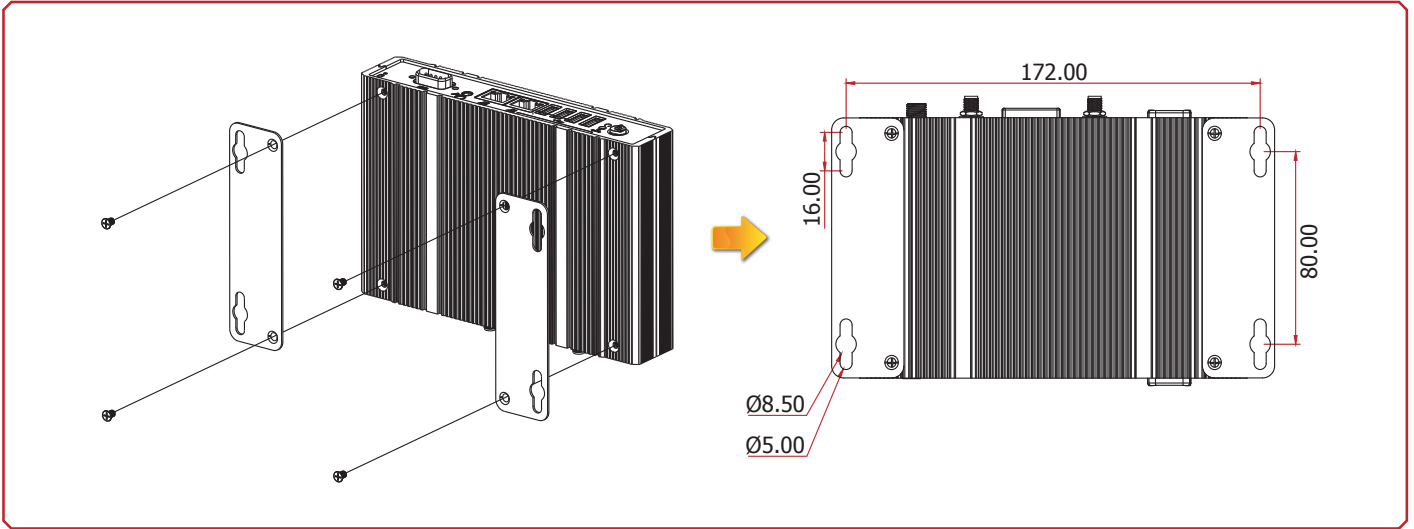
- CE
- FCC Class A
- RoHS
- UL
- CCC
- KC

System Models

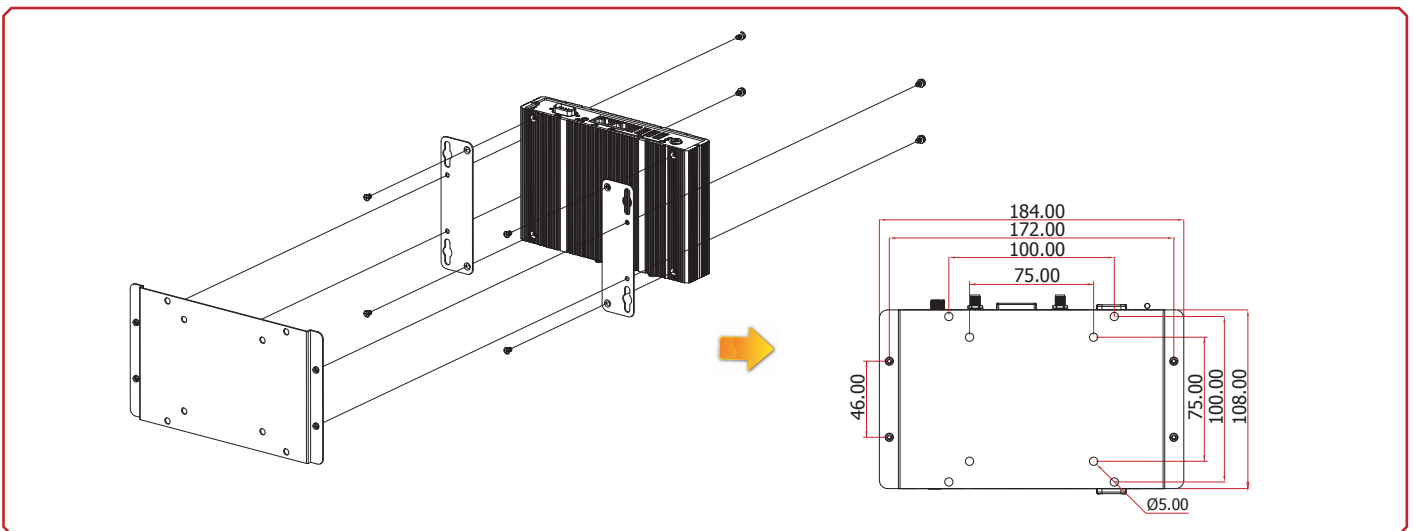
Rear I/O Ports	EC800-CD2040	EC800-CD1440	EC800-CD2041
DC-in power jack	1	1	1
Wi-Fi/3G module antenna hole	2	2	2
Line-out	1	1	1
DVI	1	1	0
VGA: DB-15 D-sub	0	0	1
micro HDMI	0	0	1
COM: DB-9	2	1	2
DIO: DB-9 (signal+power)	0	1	0

EC800-CD

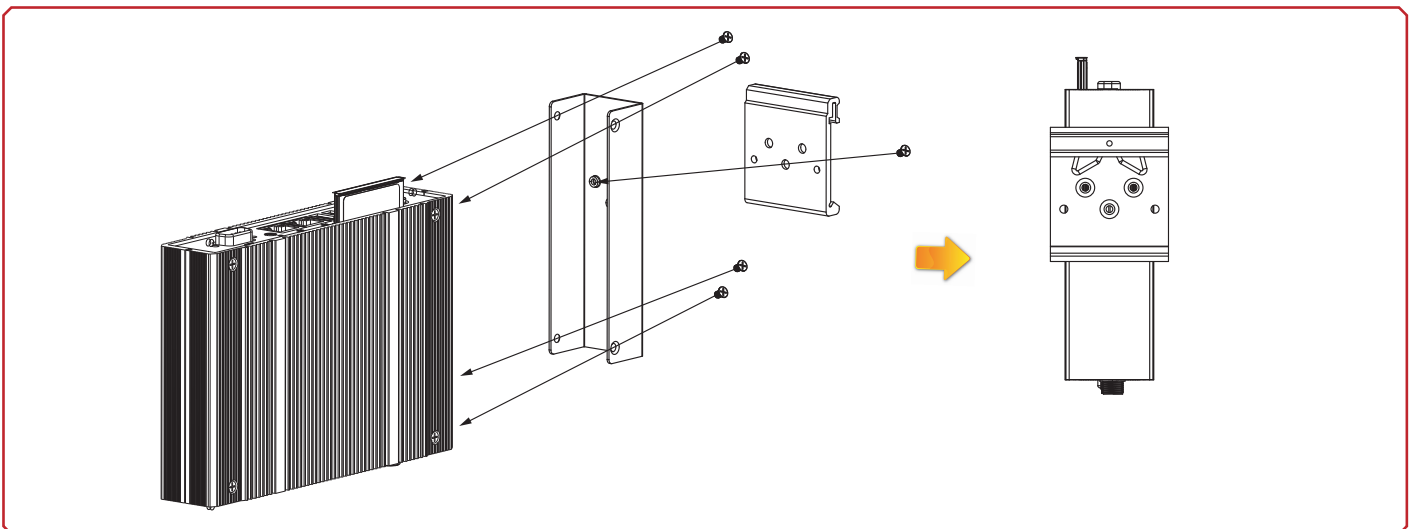
Wall Mounting



VESA Mounting



DIN Rail Mounting



EC800-CD

► Ordering Information

Model Name	Part Number	Description
EC800-CD2040-252	750-EC8000-000G	Fanless, Intel Atom D2550, 2 COM, 4 USB, 2GB DDR3 onboard, RoHS
EC800-CD2040-282	750-EC8000-800G	Fanless, Intel Atom N2800, 2 COM, 4 USB, 2GB DDR3 onboard, RoHS
EC800-CD2040-262	750-EC8000-600G	Fanless, Intel Atom N2600, 2 COM, 4 USB, 2GB DDR3 onboard, RoHS
EC800-CD2041-252	750-EC8000-100G	Fanless, Intel Atom D2550, Dual Display, 2 COM, 4 USB, 2GB DDR3 onboard, RoHS
EC800-CD1440-252	750-EC8000-400G	Fanless, Intel Atom D2550, 1 COM, 4-bit DIO, 4 USB, 2GB DDR3 onboard, RoHS
EC800-CD1440-282	750-EC8000-700G	Fanless, Intel Atom N2800, 1 COM, 4-bit DIO, 4 USB, 2GB DDR3 onboard, RoHS
EC800-CD1440-262	750-EC8000-500G	Fanless, Intel Atom N2600, 1 COM, 4-bit DIO, 4 USB, 2GB DDR3 onboard, RoHS

► Optional Items

Optional Items	Part Number	Description
mSATA	785-MS128GMF	mSATA Card, 128GB MLC, RoHS
	785-MS64GMF	mSATA Card, 64GB MLC, RoHS
	785-MS32GMF	mSATA Card, 32GB MLC, RoHS
	785-MS16GMF	mSATA Card, 16GB MLC, RoHS
	785-MS08GMF	mSATA Card, 8GB MLC, RoHS
	785-MS04GMF	mSATA Card, 4GB MLC, RoHS
CFast	785-CFM128G	CFast 128GB MLC, RoHS
	785-CFM64G	CFast 64GB MLC, RoHS
	785-CFM32G	CFast 32GB MLC, RoHS
	785-CFM16G	CFast 16GB MLC, RoHS
	785-CFM08G	CFast 8GB MLC, RoHS
	785-CFM04G	CFast 4GB MLC, RoHS
Wi-Fi	761-110092-000G	Wi-Fi Kit, RoHS
3G + GPS	612-110040-600G	3G + GPS Kit, RoHS
Power Cord	785-PWRD	Power Cord, Standards (USA/EUR/CH), 1.8m, RoHS
Power Adapter	671-106013-000G	60W, 12V/5A (-30 to 70°C), Level 6, RoHS
Wall Mount	761-EC8000-000G	EC700/800 Wall Mount Kit, RoHS
VESA Mount	761-EC8000-100G	EC800 VESA Mount Kit, RoHS
DIN Rail Mount	761-EC8000-200G	EC700/800 DIN Rail Mount Kit, RoHS

► Packing List

• 1 EC800 system unit
• 1 Power adapter: 60W
• 6 mounting screws for Mini PCIe module
• 1 Quick Installation Guide
• 1 CD disk includes:
- Drivers / Manual